

# Broil King®

---

---

**Broil King**  
CROWN 410  
8650-52  
8650-53  
CROWN 410 R  
8650-53R



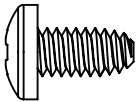
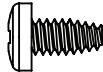
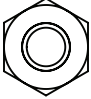
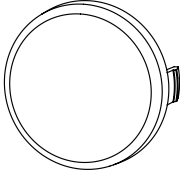
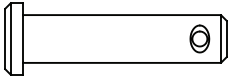
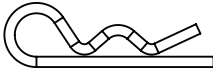

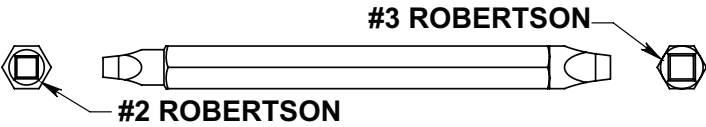
**Broil King**  
CROWN 430  
8650-62  
8650-63  
CROWN 430 R  
8650-63R



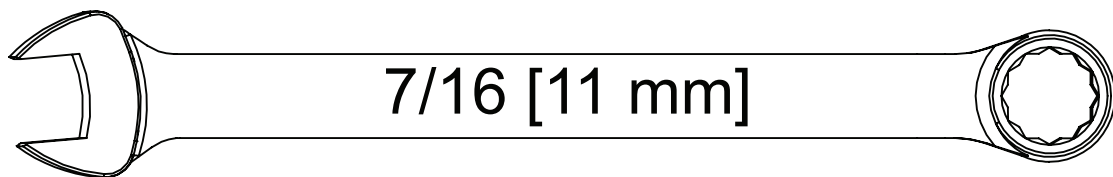
**Broil King**  
CROWN 480  
8650-82  
8650-83



**HARDWARE INCLUDED / MATERIAL INCLUS / EQUIPOS INCLUIDO**

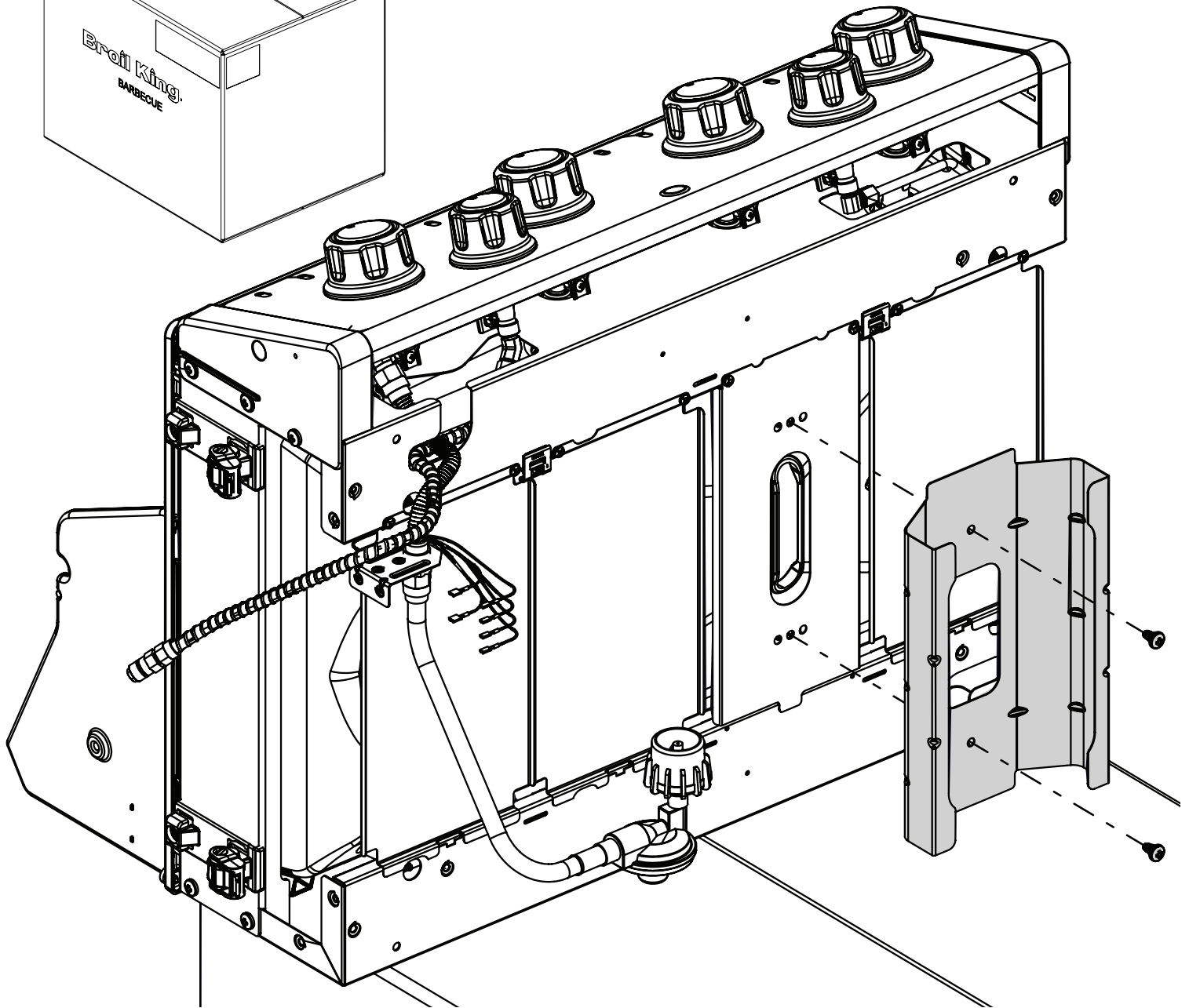
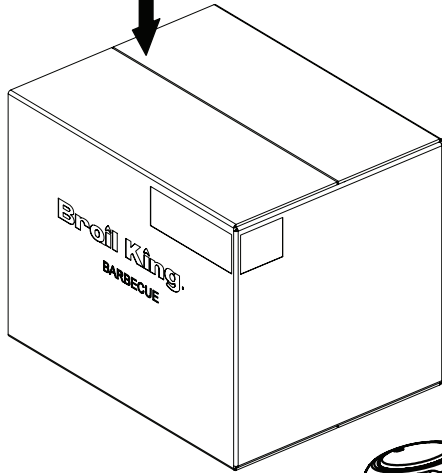
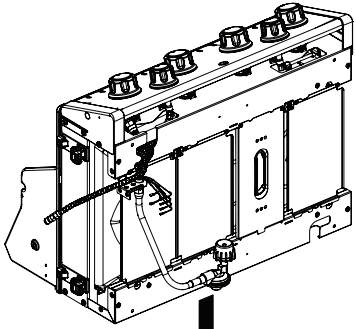
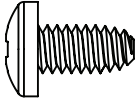
Y-12865		(22)	Y-29304		(6)
Y-11793		(4)	32001-151		(4)
S21235		(2)	S21233		(2)
20005-000					(1)
					

**TOOLS REQUIRED / OUTILS NECESSAIRES / HERRAMIENTAS NECESARIAS**

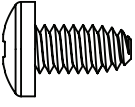


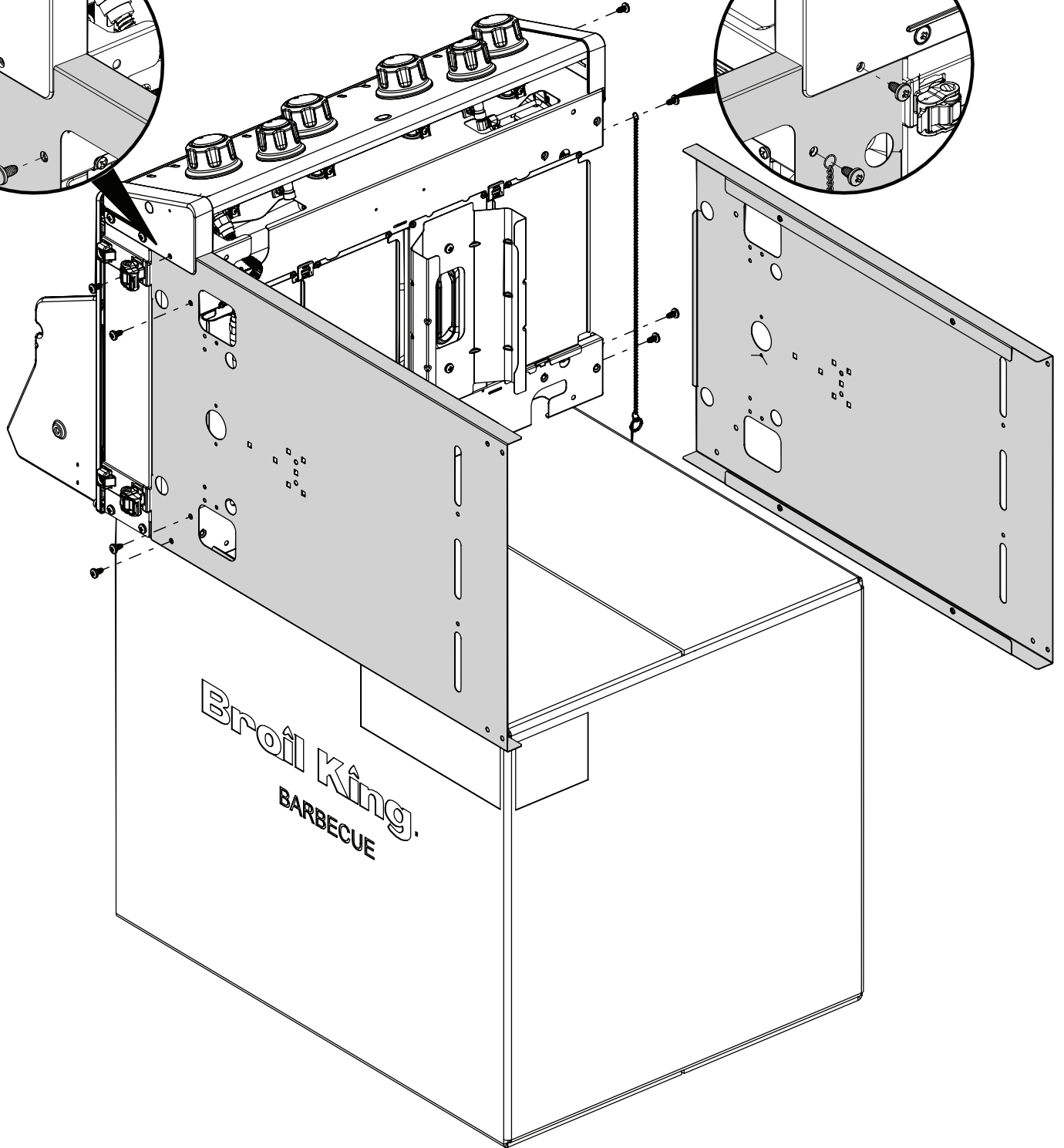
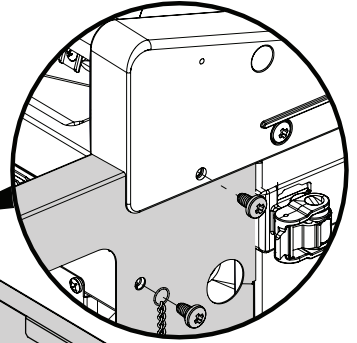
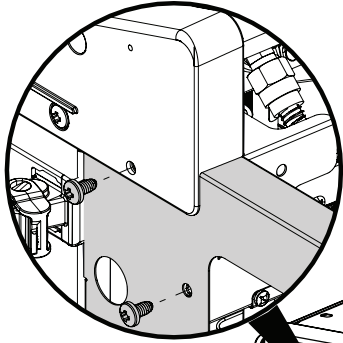
1

(2)

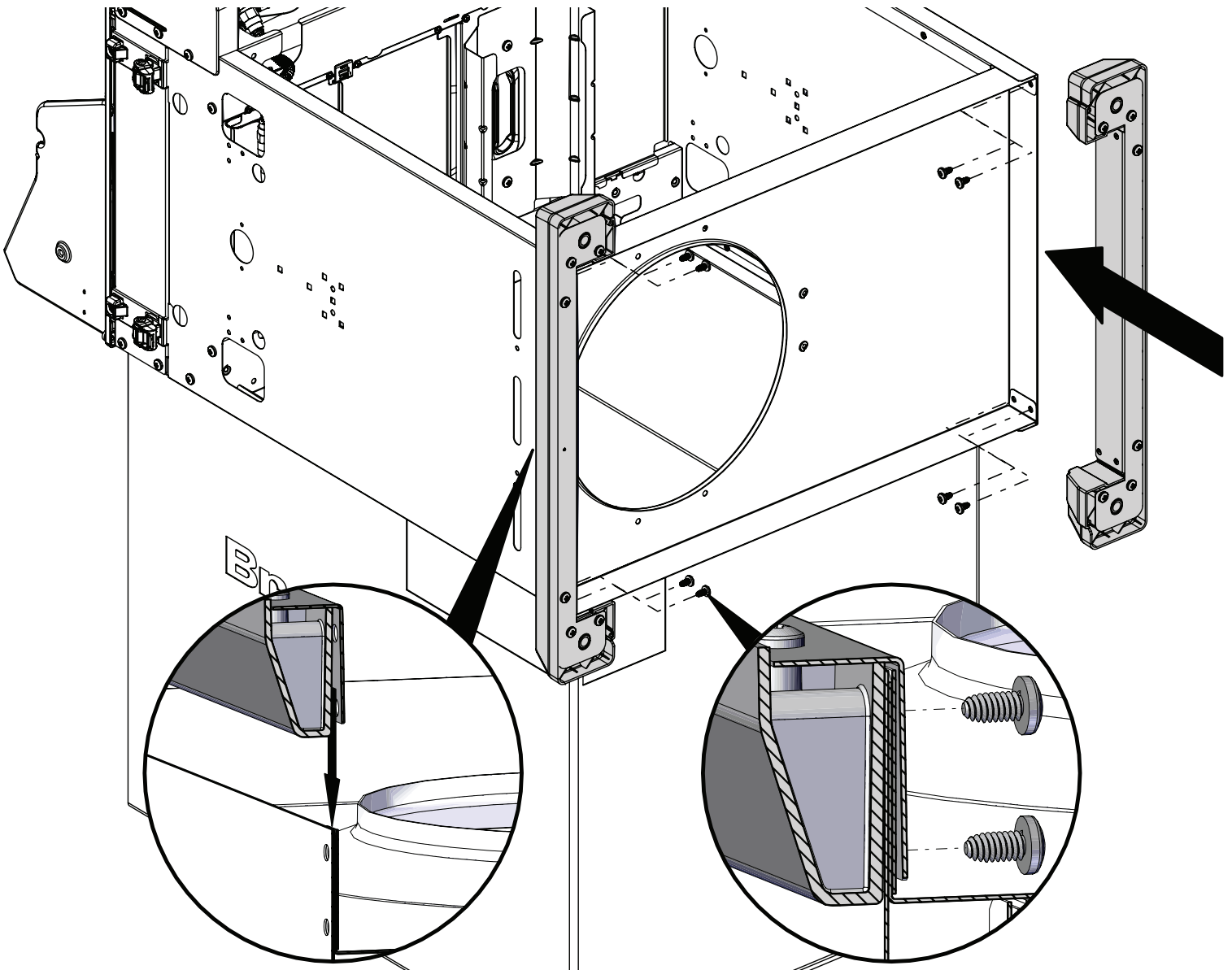
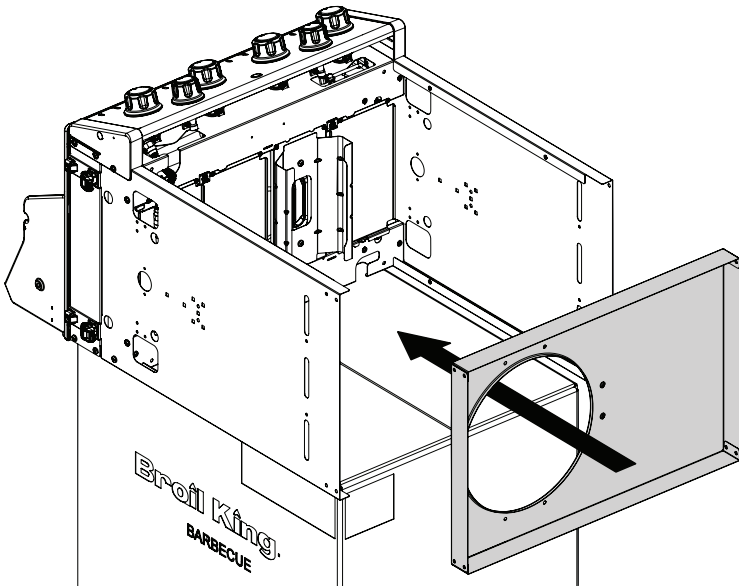
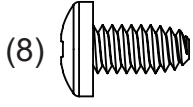


2

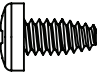
(8)  (1)

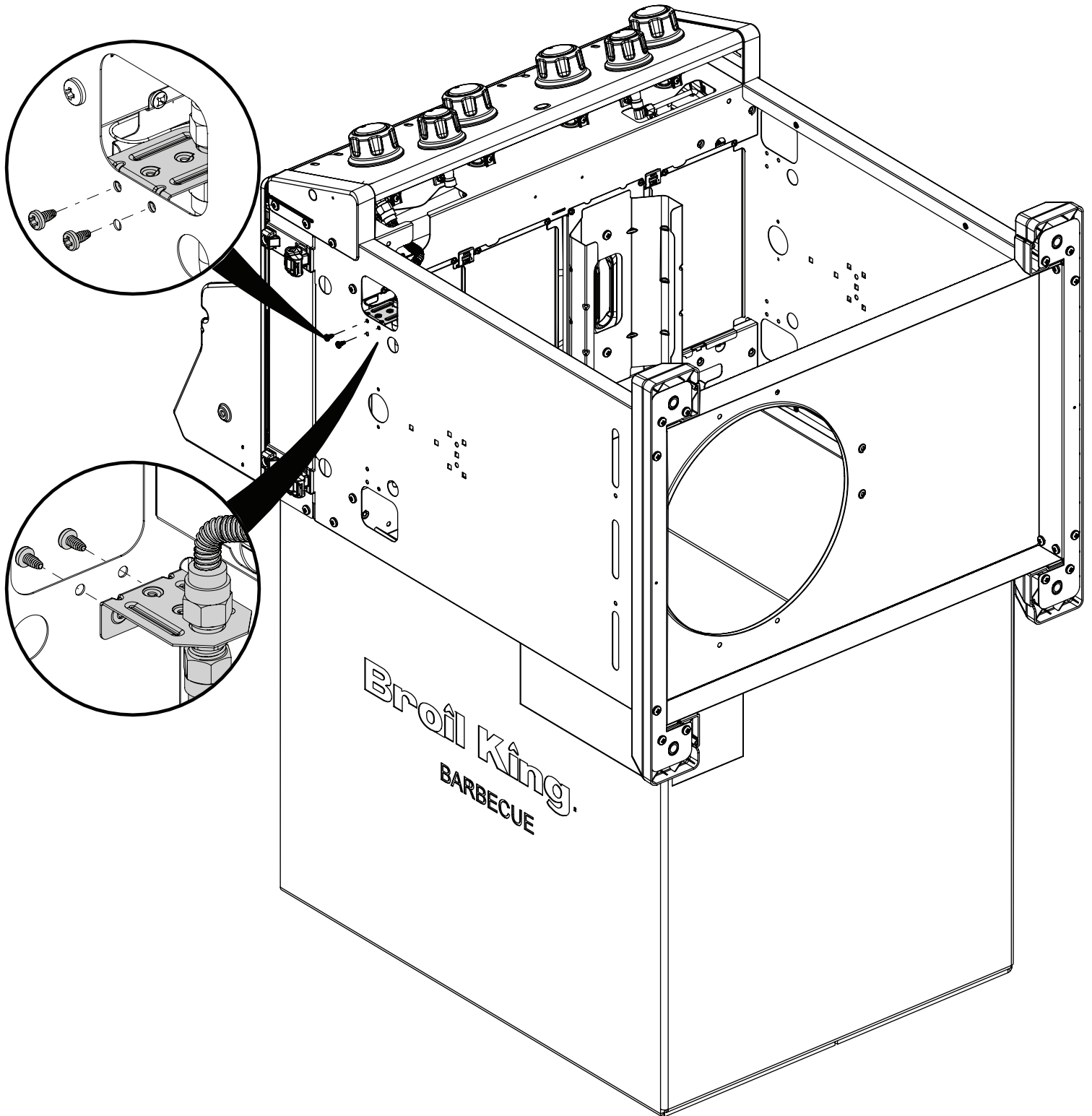


3

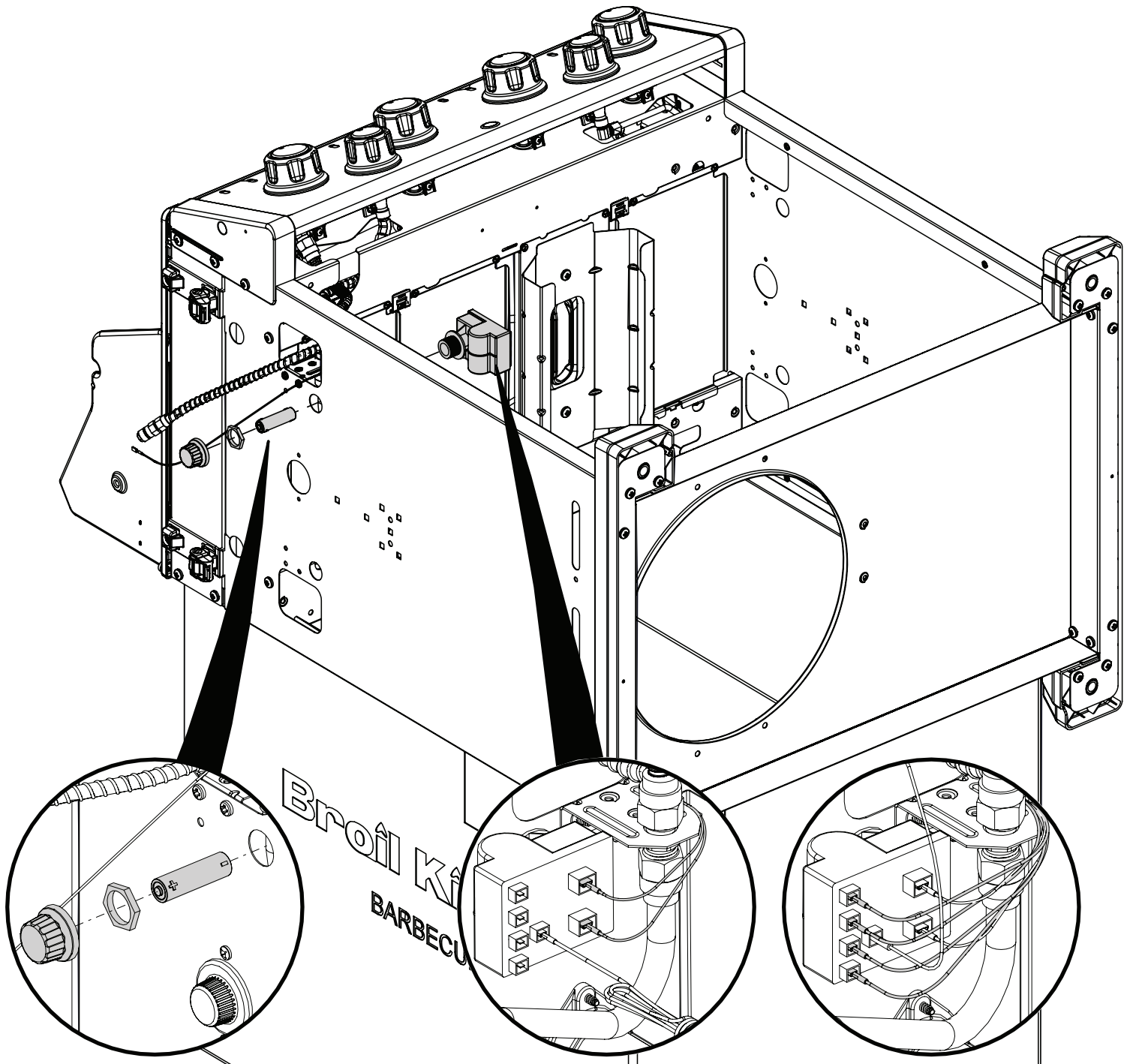
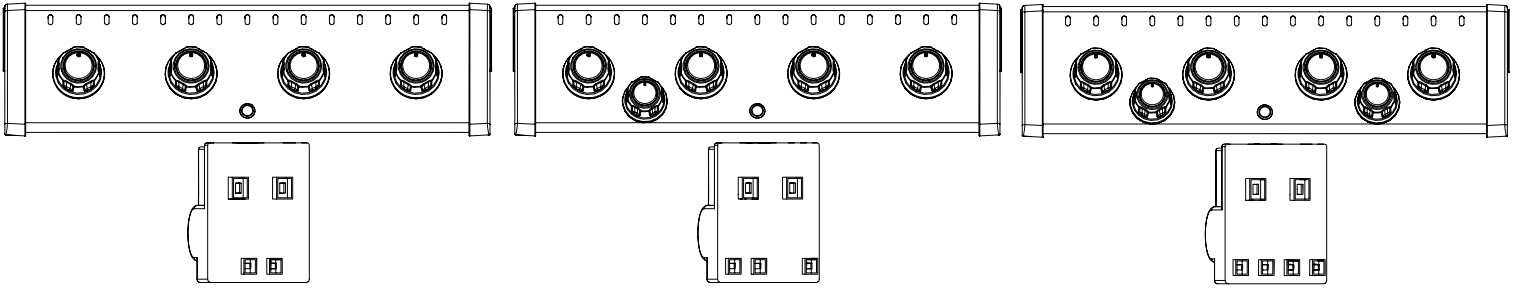


4

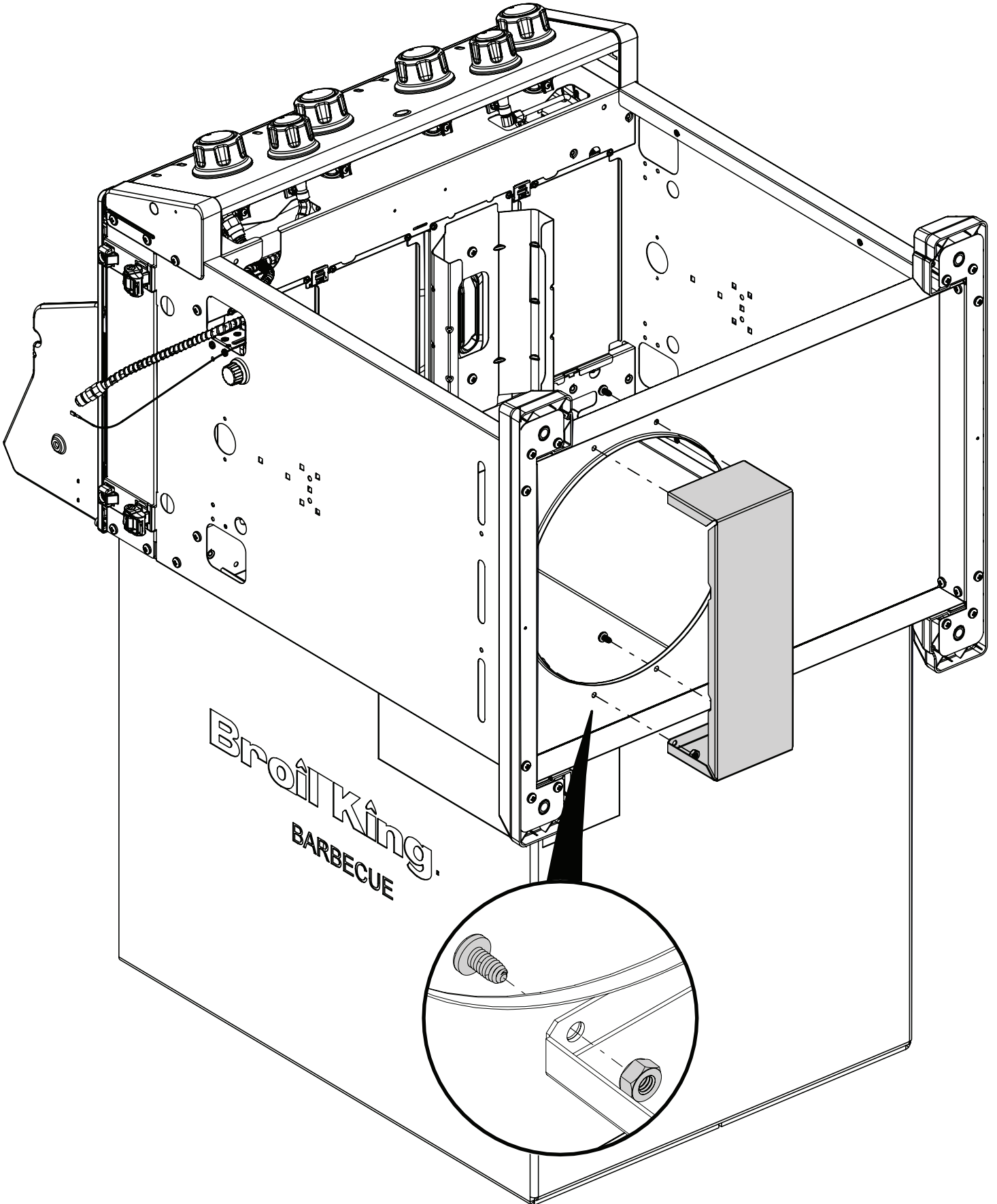
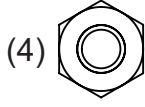
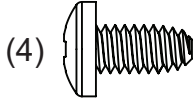
(2) 



5



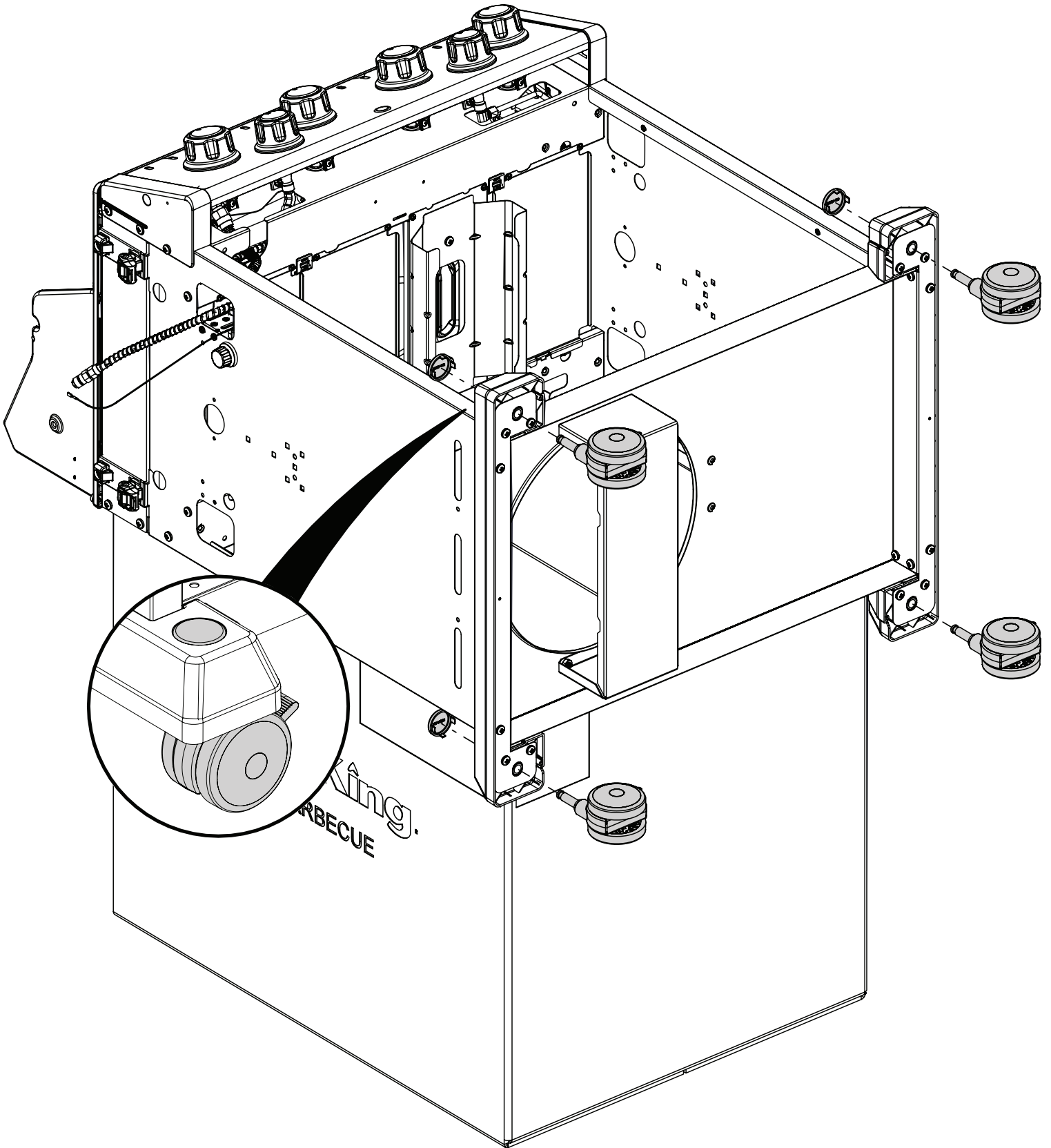
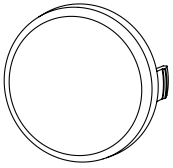
6

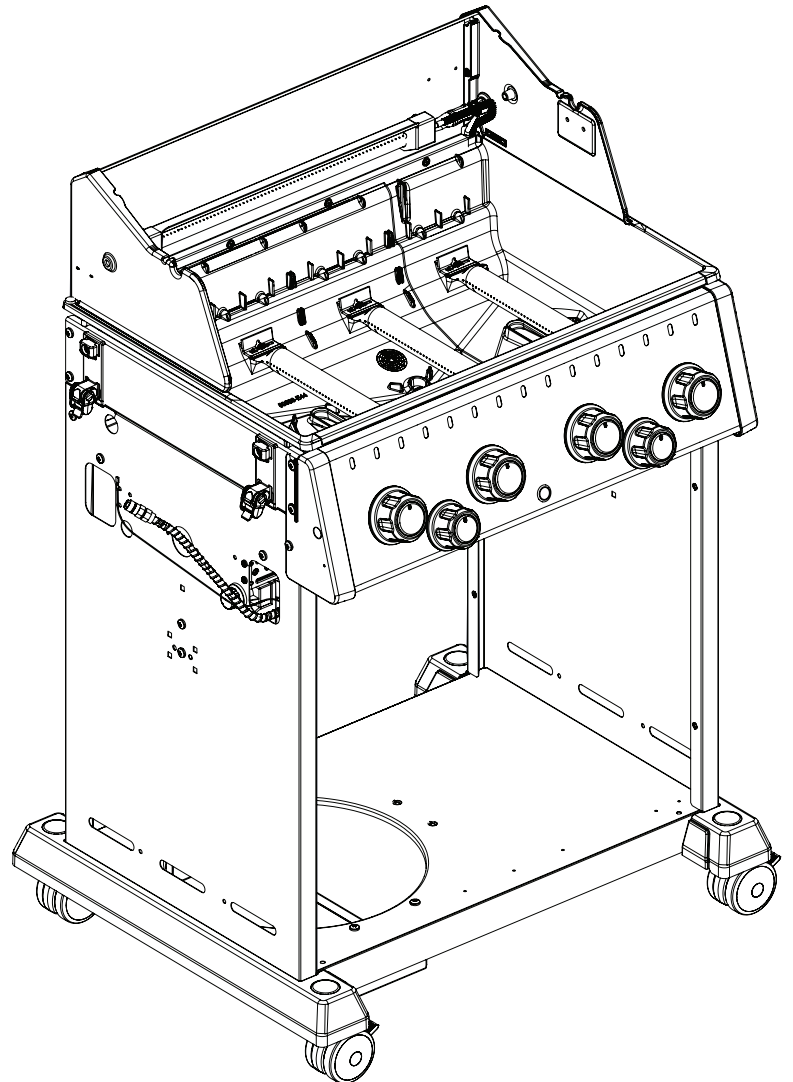
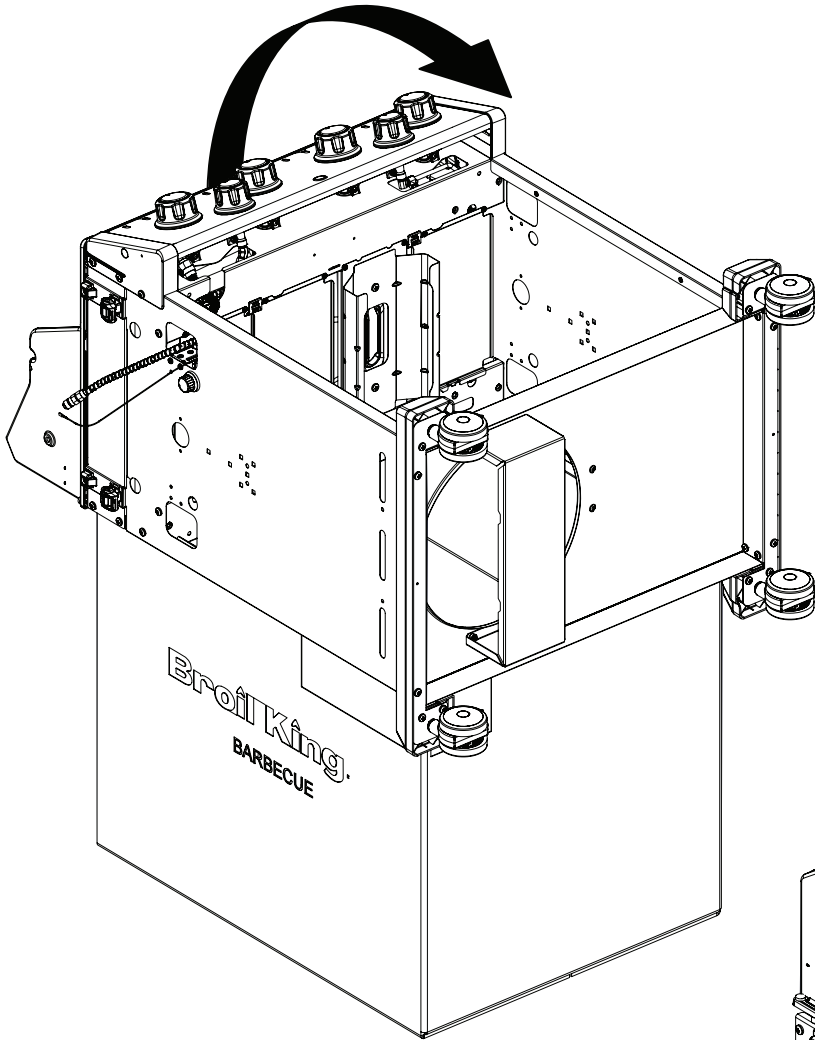




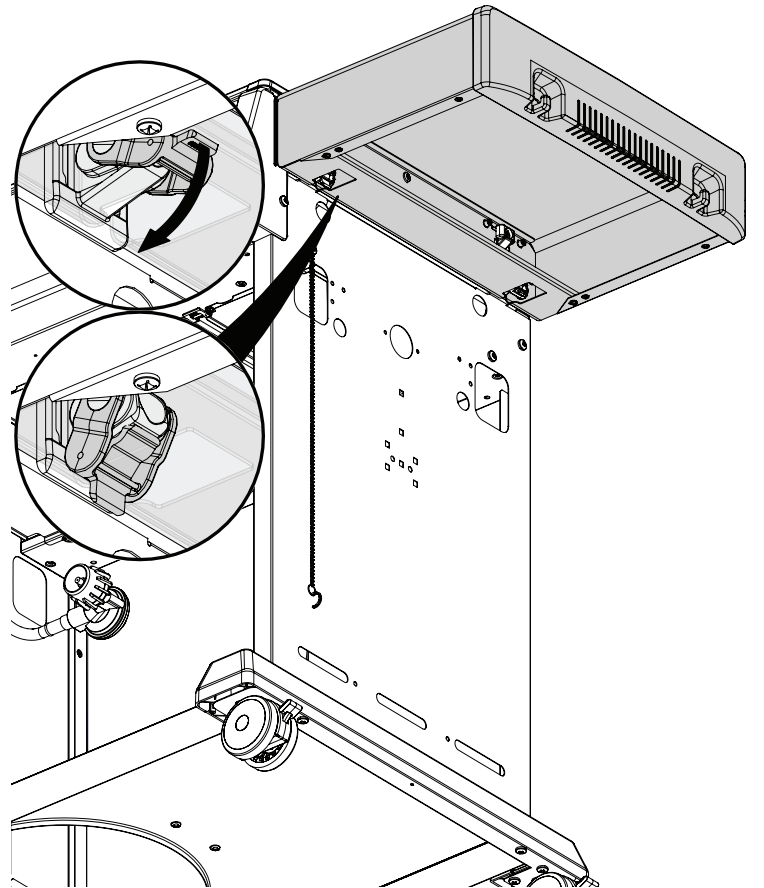
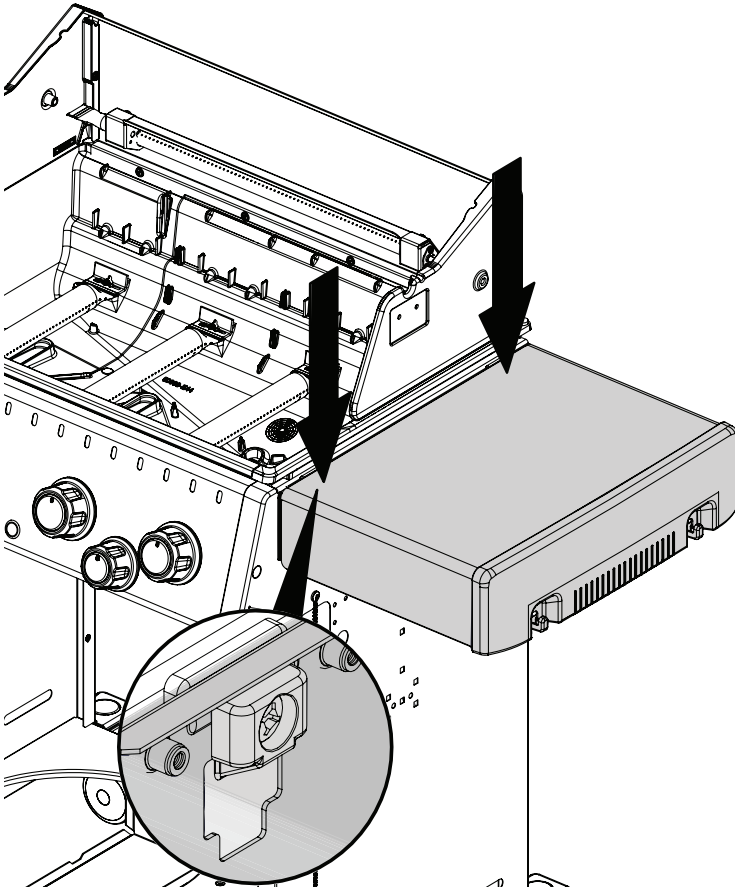
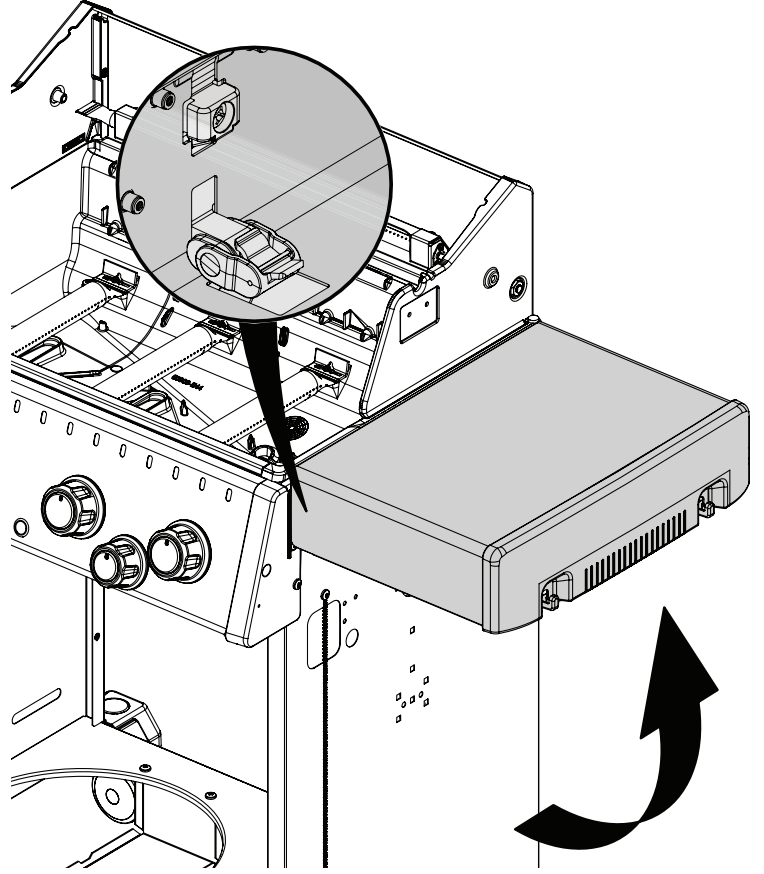
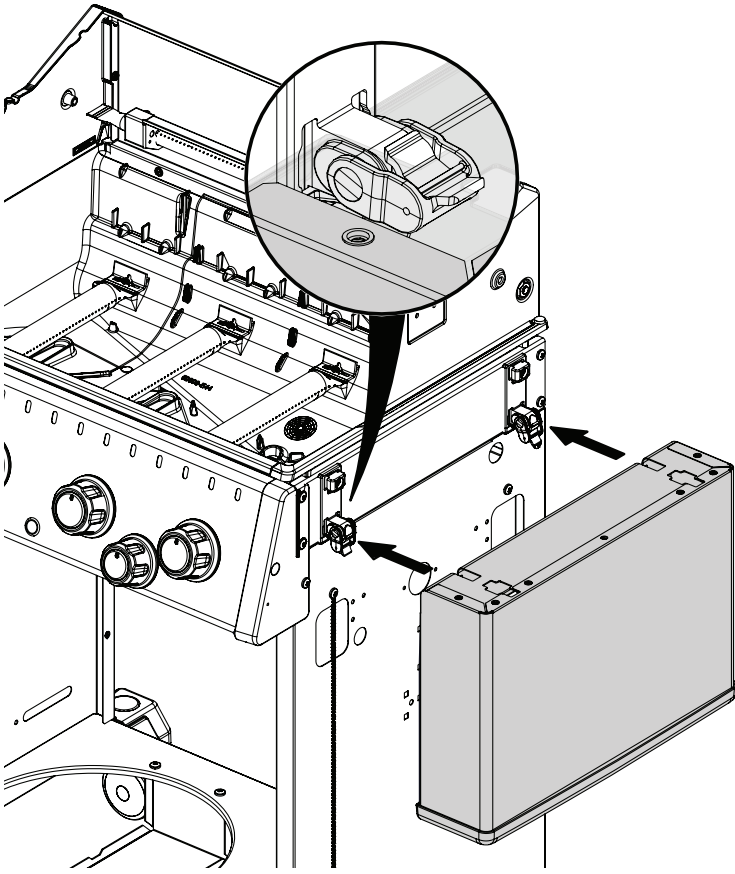
7

(4)

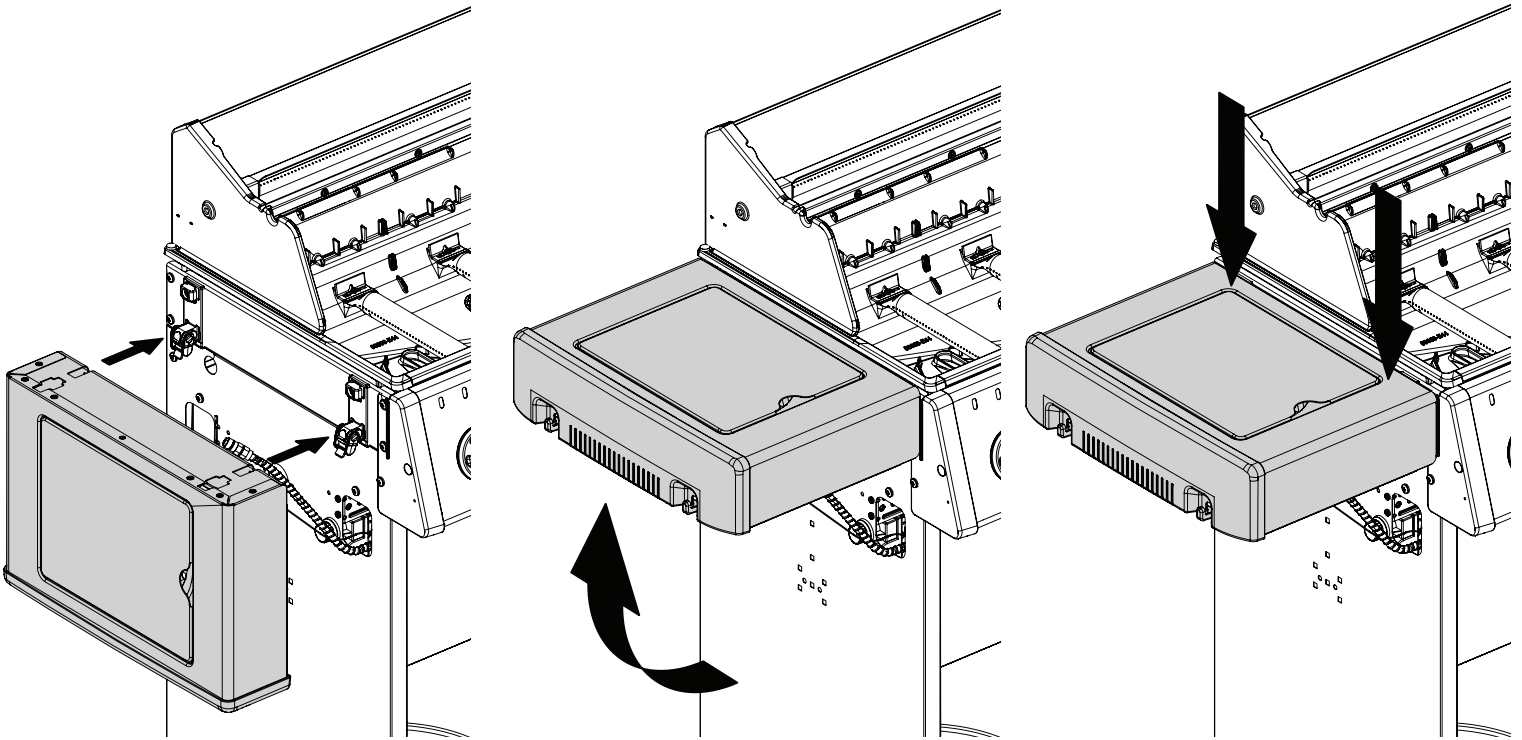




9



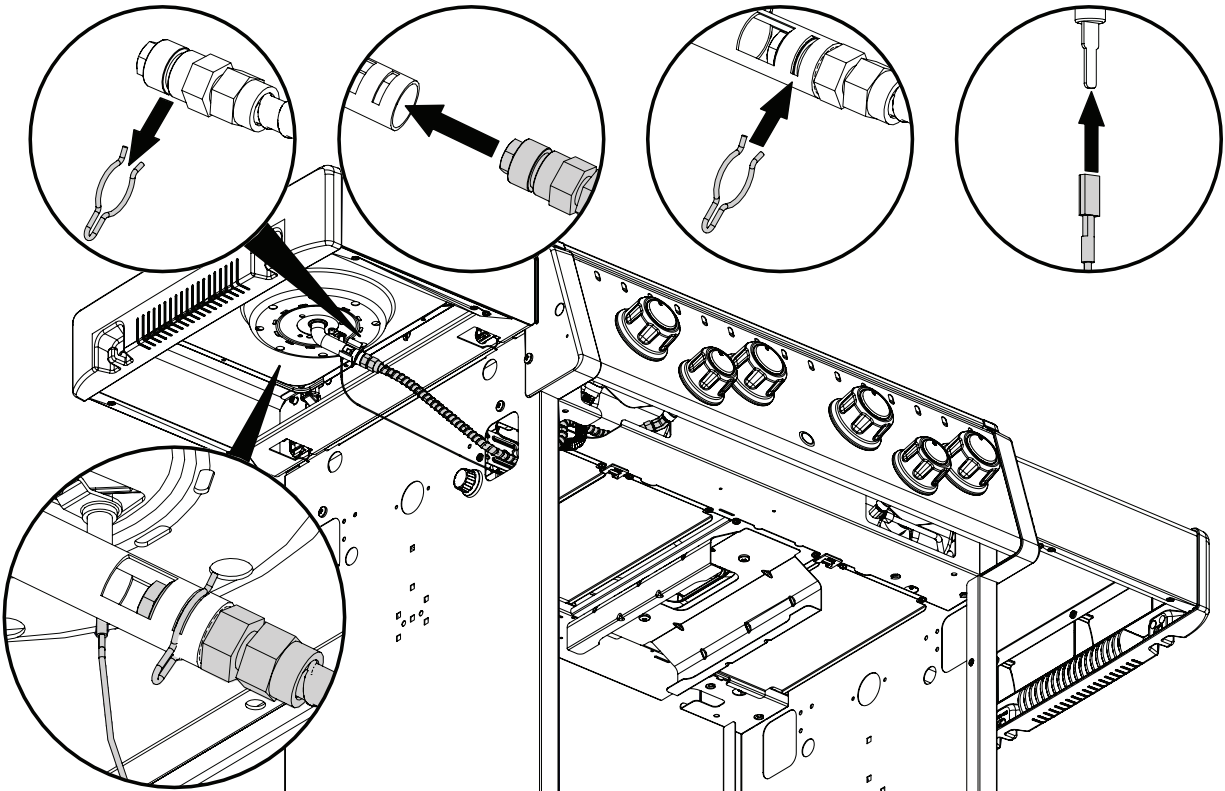
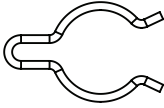
# 10



# 11

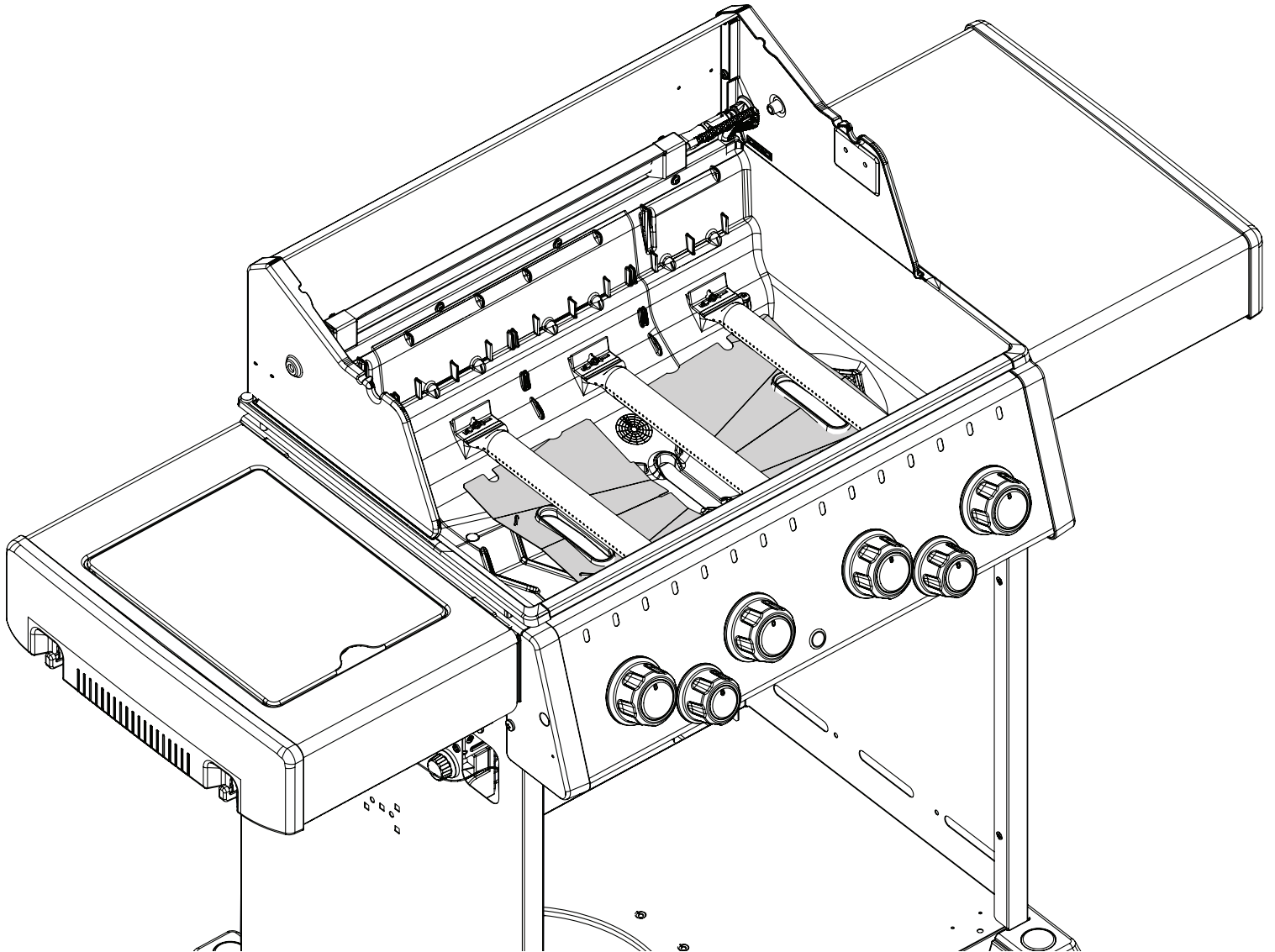
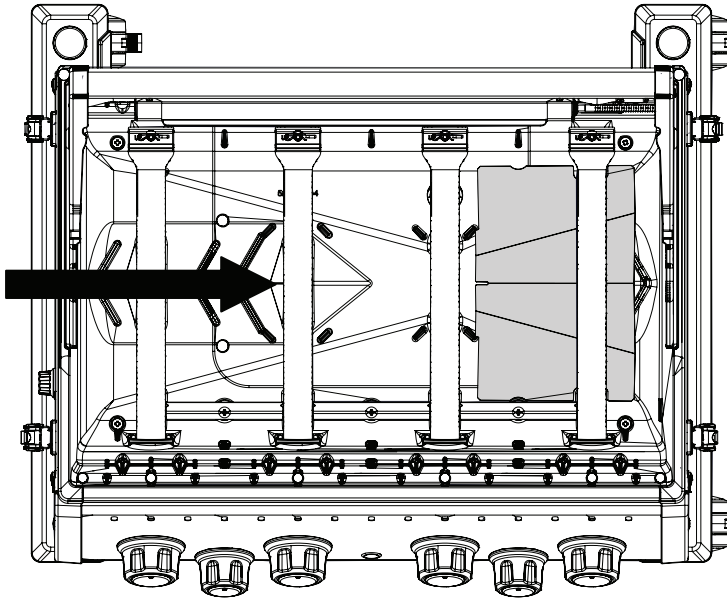
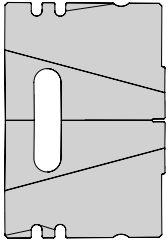
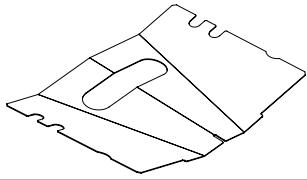


(1)



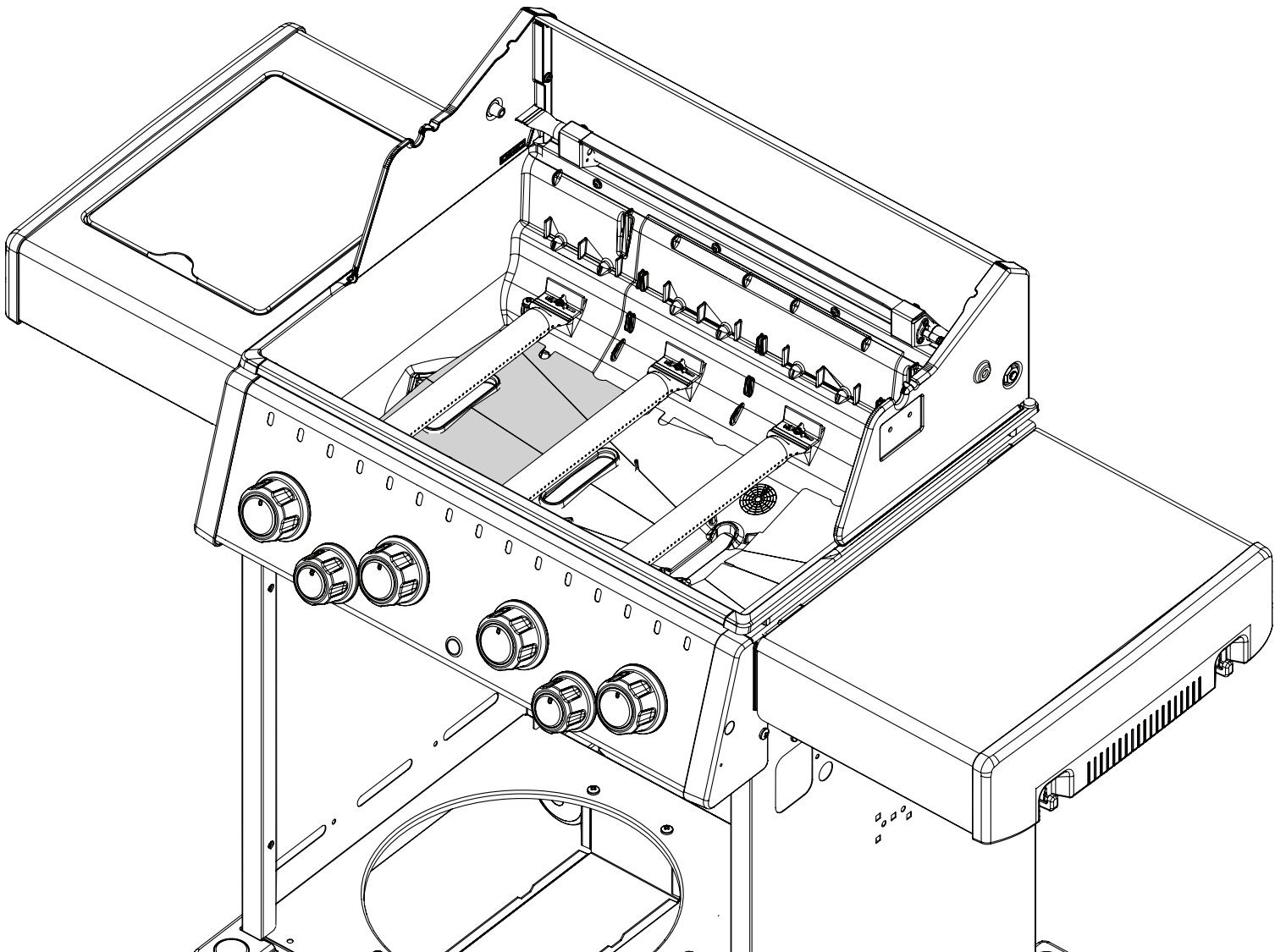
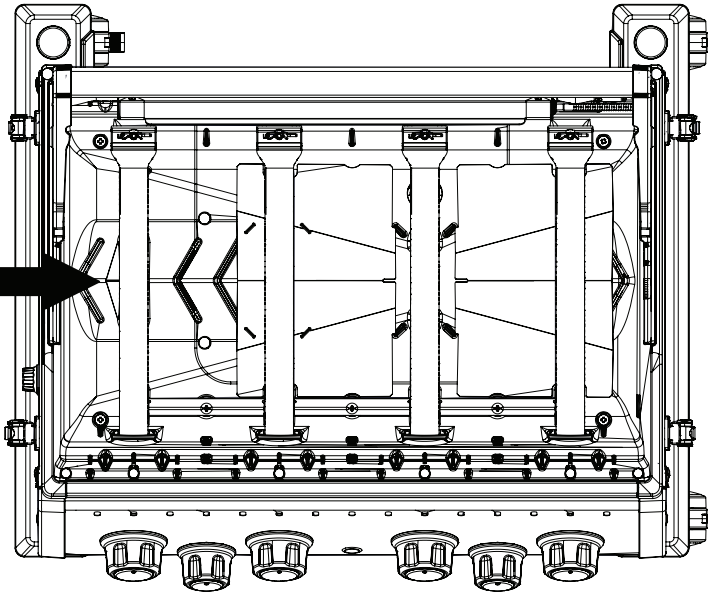
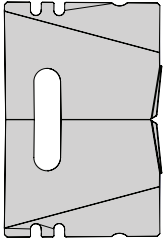
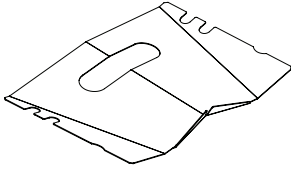
# 12

(2)



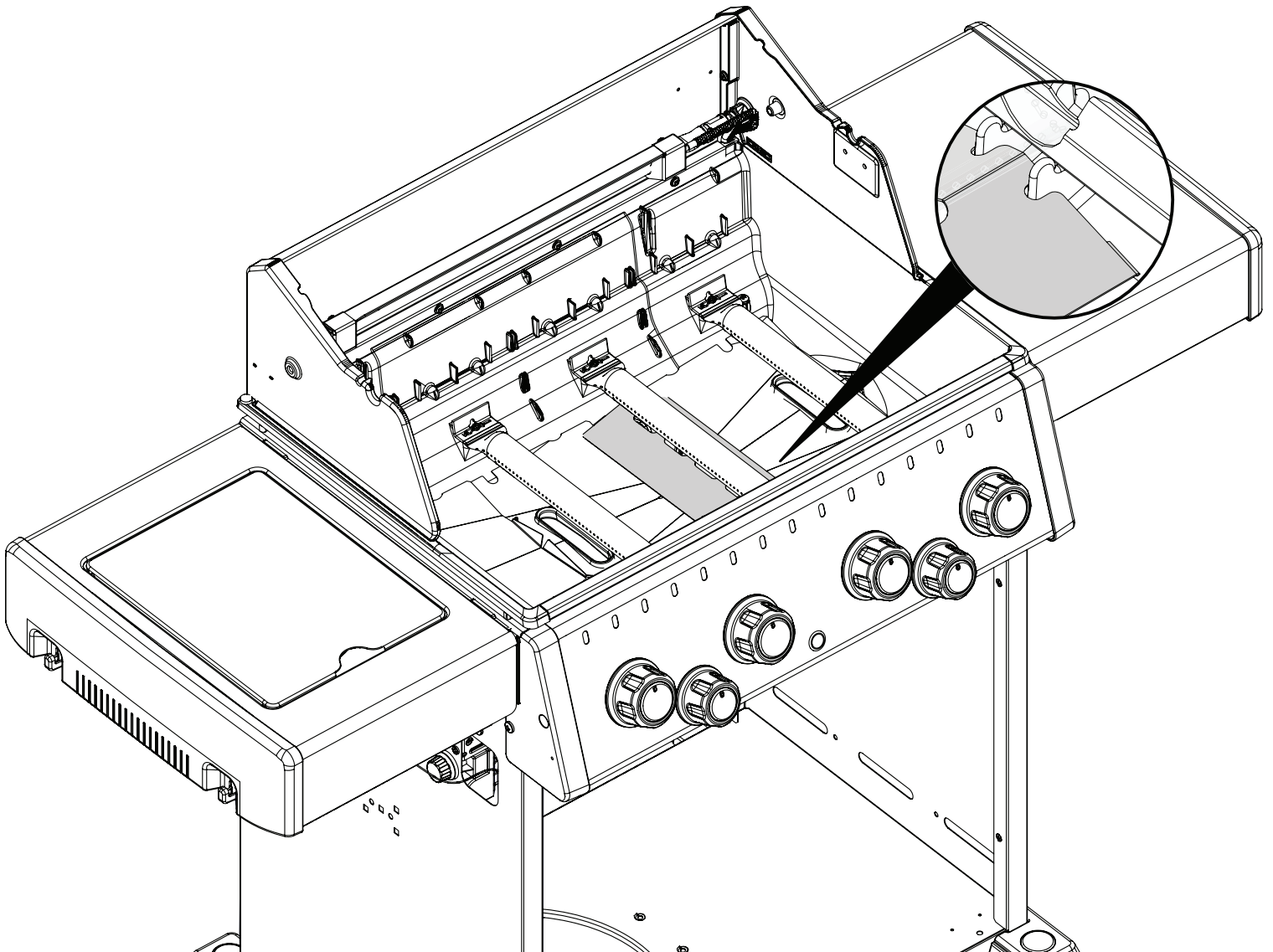
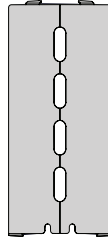
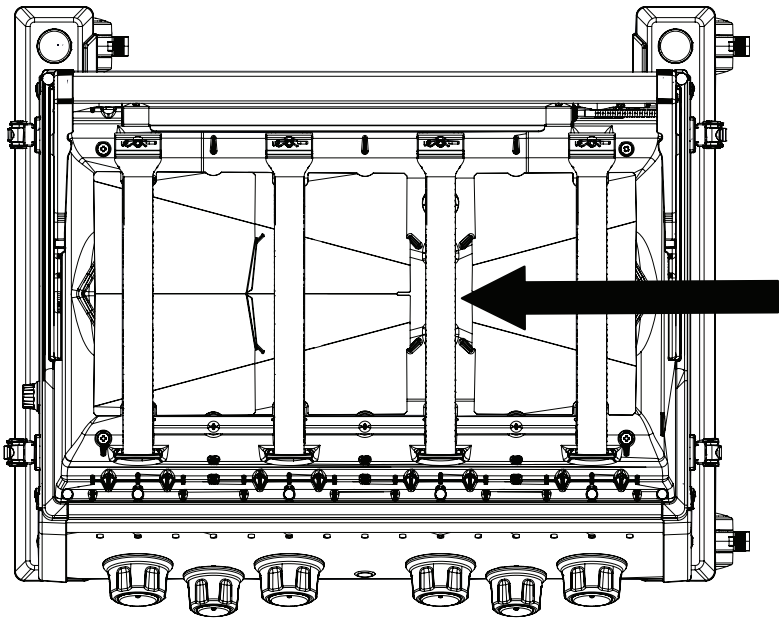
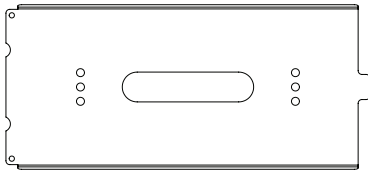
# 13

(1)

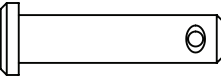
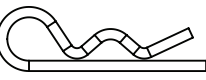


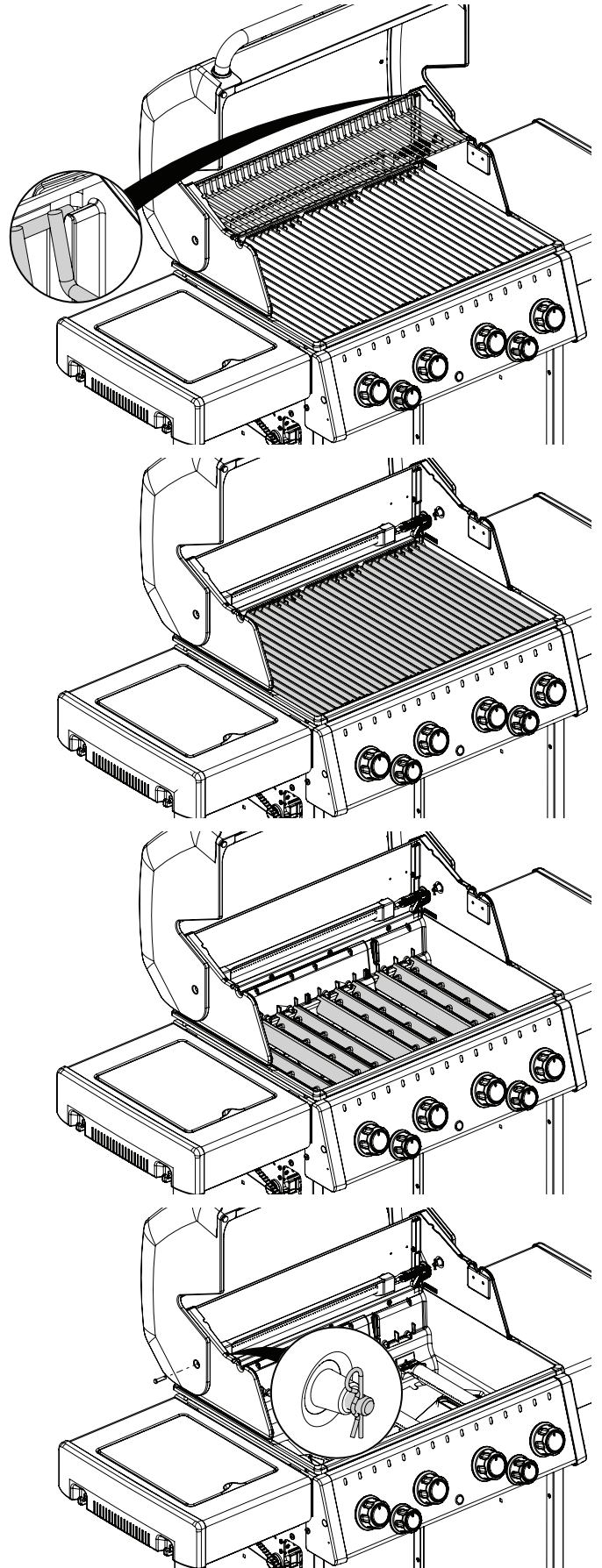
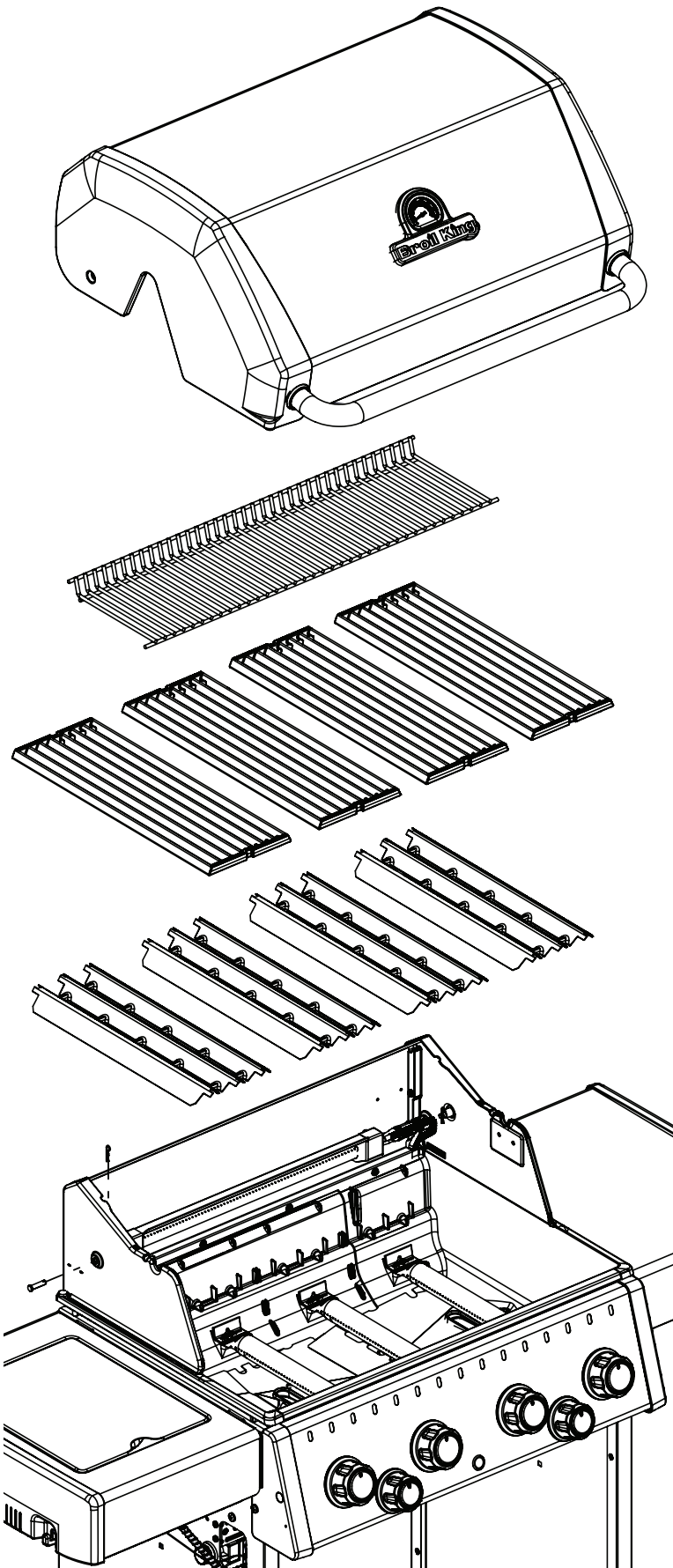
# 14

(1)



# 15

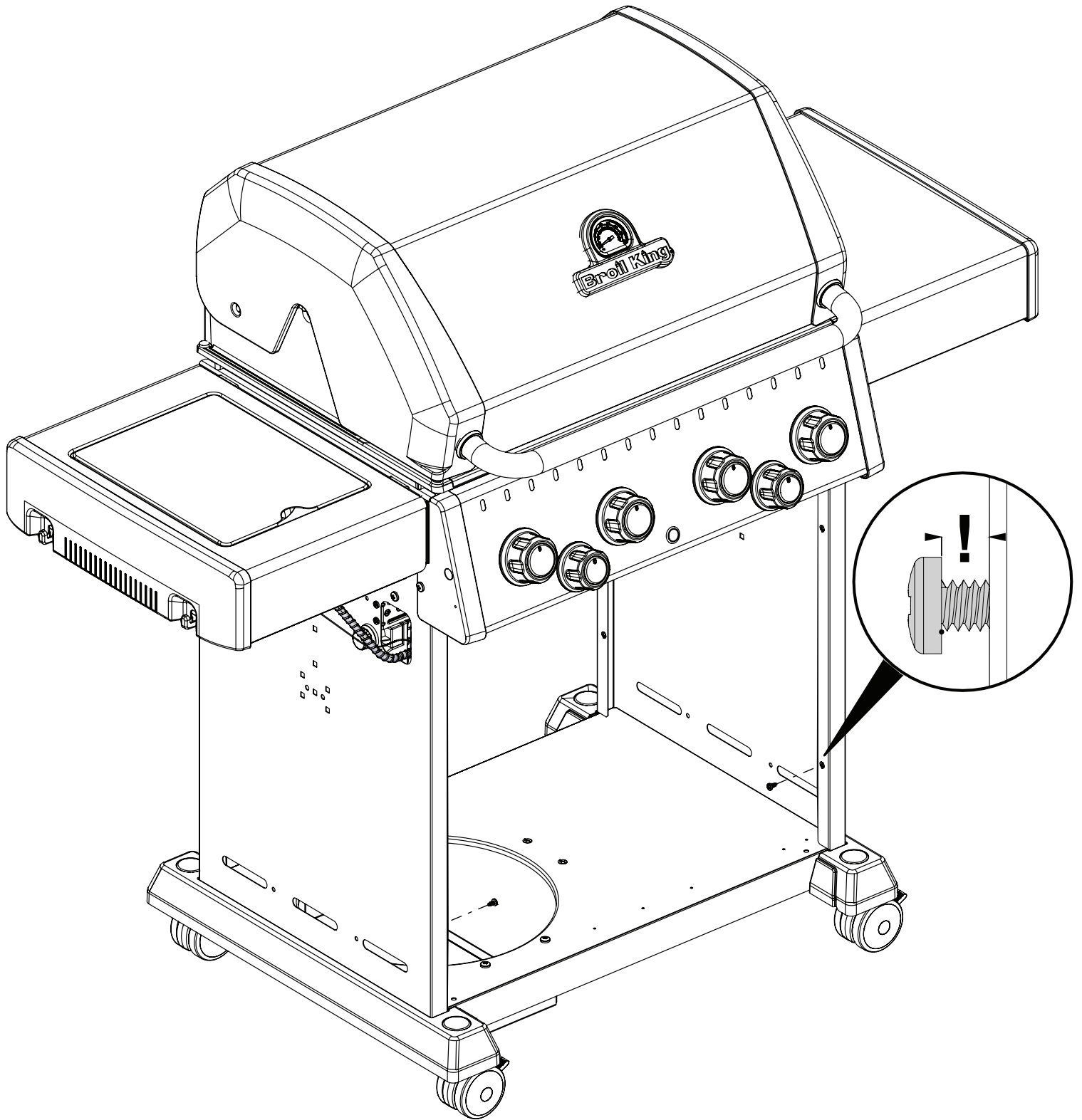
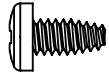
(2)  (2) 

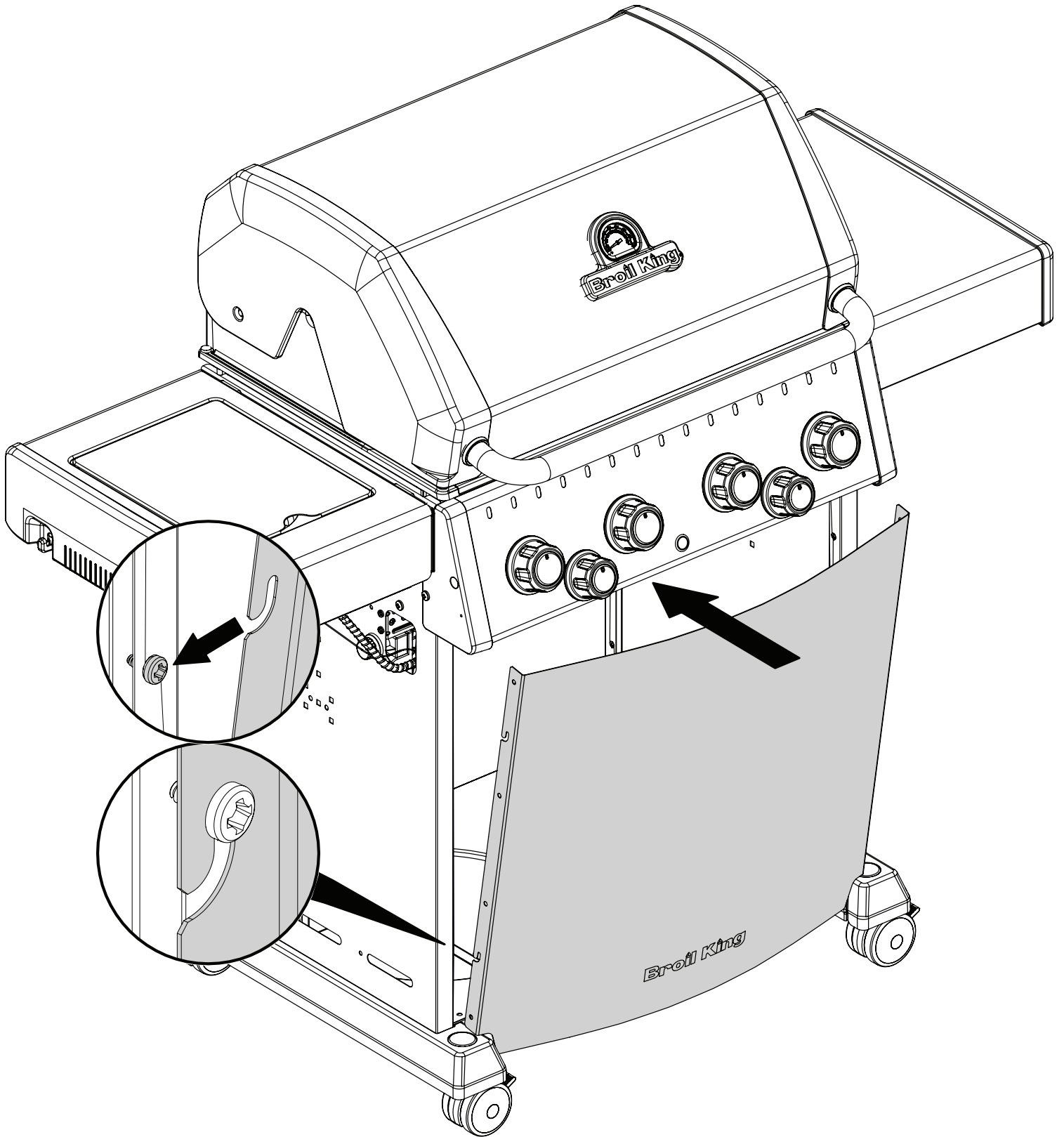




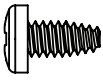
# 16

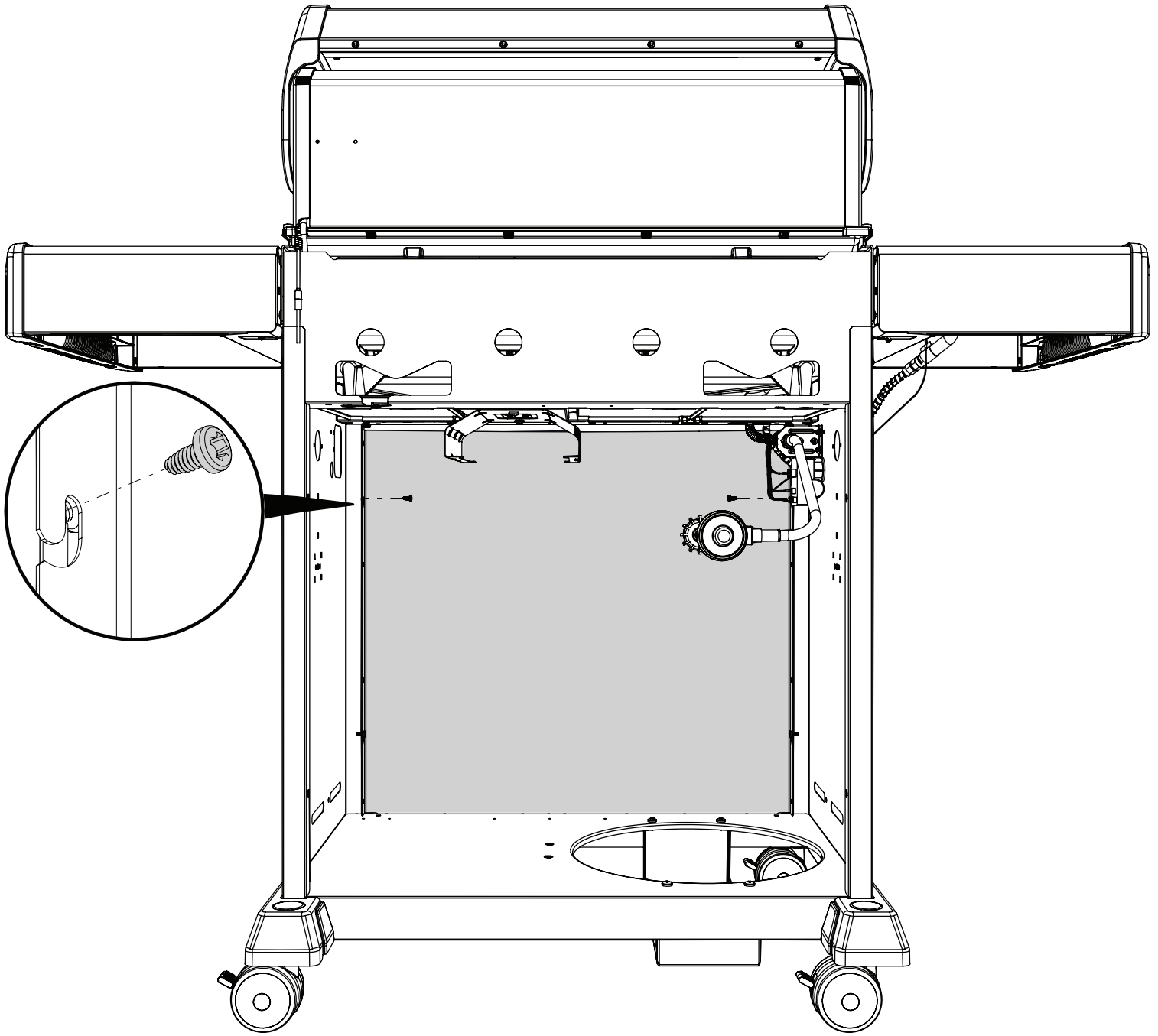
(2)



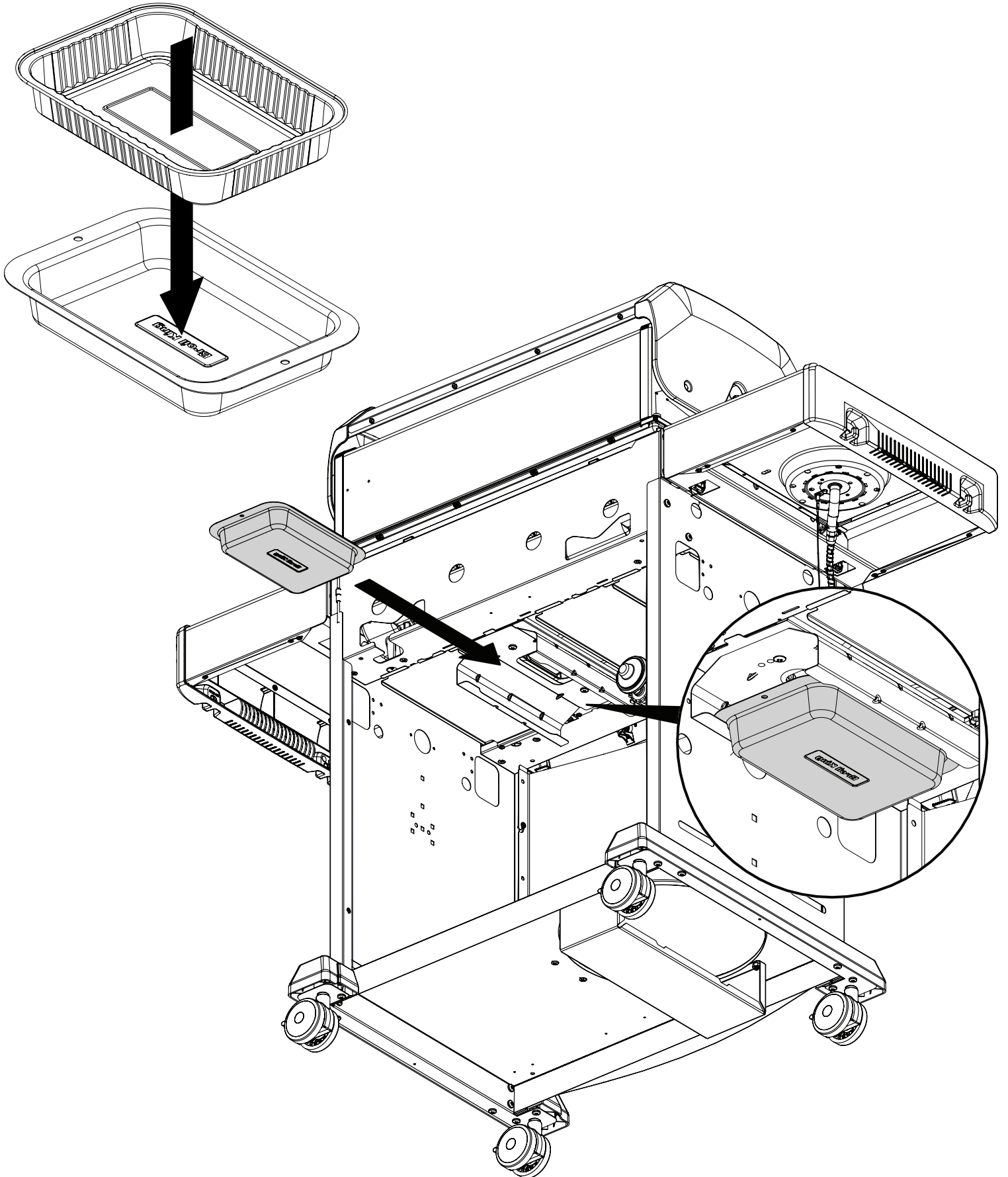


# 18

(2) 



19



20

